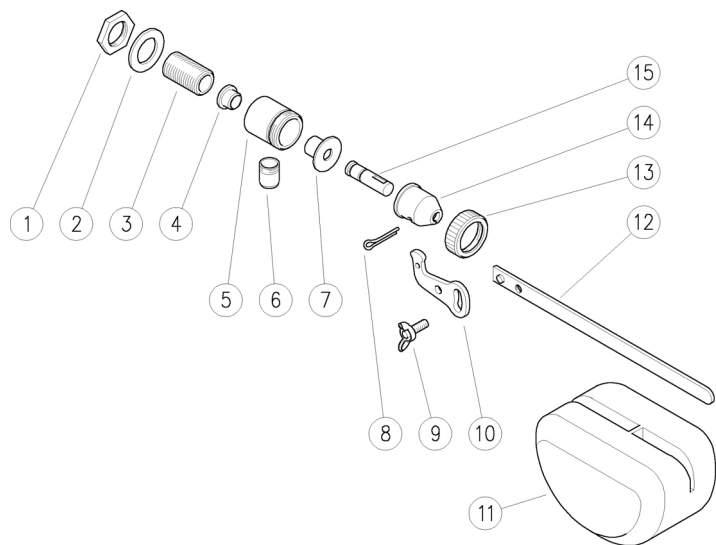


29.0160.00 RGO regolatore gall.ott.G3/8M


29.0160.10 RGO regolatore gall.ott.G1/2M



29.0160.20 RGO regolatore gall.ott.G3/4M

29.0160.30 RGO regolatore gall.ott.G1/2F

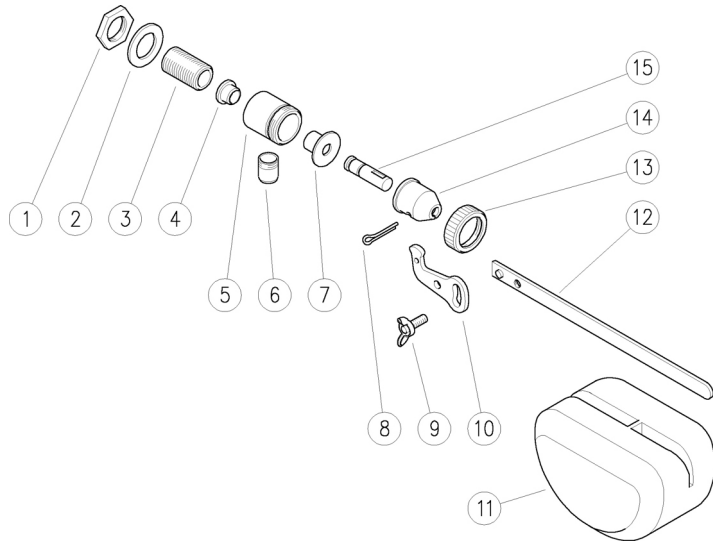
Pos.	Codice	Descrizione	Q.tà	K1	K2	K3	K4	
1	29.0171.31R	Dado,ott. G3/8F (1)	1					50
1	29.0175.31R	Dado G1/2F ott. (2)	1					10
1	29.0188.31R	Dado G3/4F ott. (3)	2					10
2	29.0176.81R	Guarn. Front. 17x28x2 mm NBR (1)	1					10
2	29.0177.81R	Guarn. Front. 19x30x2 mm nero (2)	1					10
2	29.0189.81R	Guarn. Front. 26x36x2 mm NBR (3)	1					10
3	29.0172.36R	Racc. G3/8M ott. (1)	1					5
3	29.0173.31R	Racc. G3/8M-G1/2M ott. (2)	1					5
3	29.0179.31R	Racc. G3/8M-G3/4M ott. (3)	1					5
3	29.0217.31R	Racc. G3/8M-G1/2F ott. (4)	1					5
4	29.0165.84R	Sede RGO	1	•				10
5	29.0161.31R	Corpo RGO M24x1,5M-G3/8F ott.	1					3
6	29.0162.36R	Tubo di scarico M12x1 ott.	1					5
7	29.0166.81R	Guarn. Frontale CR	1	•				10
8	11.0549.01R	Coppiglia 3x20 mm	1					10
9	12.0150.05R	Dado ad alette M5x10 ott.	1					10
10	29.0168.35R	Piastrino di rinvio ott.	1					5
11	29.0191.84R	Galleggiante PE-HD grigio	1					10
12	29.0190.31R	Asta RGO ott.	1					10
13	29.0163.36R	Girello M24x1,5 F ott.	1					10
14	29.0169.31R	Coperchio ott.	1					5
15	29.0164.84R	Pistone RGO nero	1	•				10

Kit	Codice	Descrizione	
K1	29.0199.24	Kit ric. RGO 3x1pz.	1

(1) 29.0160.00 (2) 29.0160.10 (3) 29.0160.20 (4) 29.0160.30

29.0160.00 RGO Float valve,brass 3/8M Bsp

29.0160.10 RGO Float valve,brass 1/2M Bsp



29.0160.20 RGO Float valve,brass 3/4M Bsp

29.0160.30 RGO Float valve,brass 1/2F Bsp

Pos.	P/N	Description	Q.ty	K1	K2	K3	K4	
1	29.0171.31R	Nut, brass, 3/8F Bsp (1)	1					50
1	29.0175.31R	Nut, 1/2F Bsp brass (2)	1					10
1	29.0188.31R	Nut, 3/4F Bsp brass (3)	2					10
2	29.0176.81R	Front seal, 17x28x2 mm NBR (1)	1					10
2	29.0177.81R	Front seal, 19x30x2 mm black (2)	1					10
2	29.0189.81R	Front seal, 26x36x2 mm NBR (3)	1					10
3	29.0172.36R	Coupling, 3/8M Bsp brass (1)	1					5
3	29.0173.31R	Coupling, 3/8M-1/2M Bsp brass (2)	1					5
3	29.0179.31R	Coupling, 3/8M-3/4M Bsp brass (3)	1					5
3	29.0217.31R	Coupling, 3/8M-1/2F Bsp brass (4)	1					5
4	29.0165.84R	Seat -RGO,	1	•				10
5	29.0161.31R	Housing -RGO, M24x1,5M-3/8F Bsp brs.	1					3
6	29.0162.36R	Drain tube, brass	1					5
7	29.0166.81R	Front gasket, CR	1	•				10
8	11.0549.01R	Cotter pin 3x20 mm	1					10
9	12.0150.05R	Wing nut, M5x10 brass	1					10
10	29.0168.35R	Transmission plate, brass	1					5
11	29.0191.84R	Float valve, PE-HD grey	1					10
12	29.0190.31R	Rod -RGO, brass	1					10
13	29.0163.36R	Hand nut, M24x1,5 F brass	1					10
14	29.0169.31R	Cover, brass	1					5
15	29.0164.84R	Piston RGO black	1	•				10

Kit	P/N	Description	
K1	29.0199.24	Spares kit -RGO, 3x1pcs.	1

(1) 29.0160.00 (2) 29.0160.10 (3) 29.0160.20 (4) 29.0160.30