



EQUIPAGGIAMENTI
TECNICI
LAVAGGIO

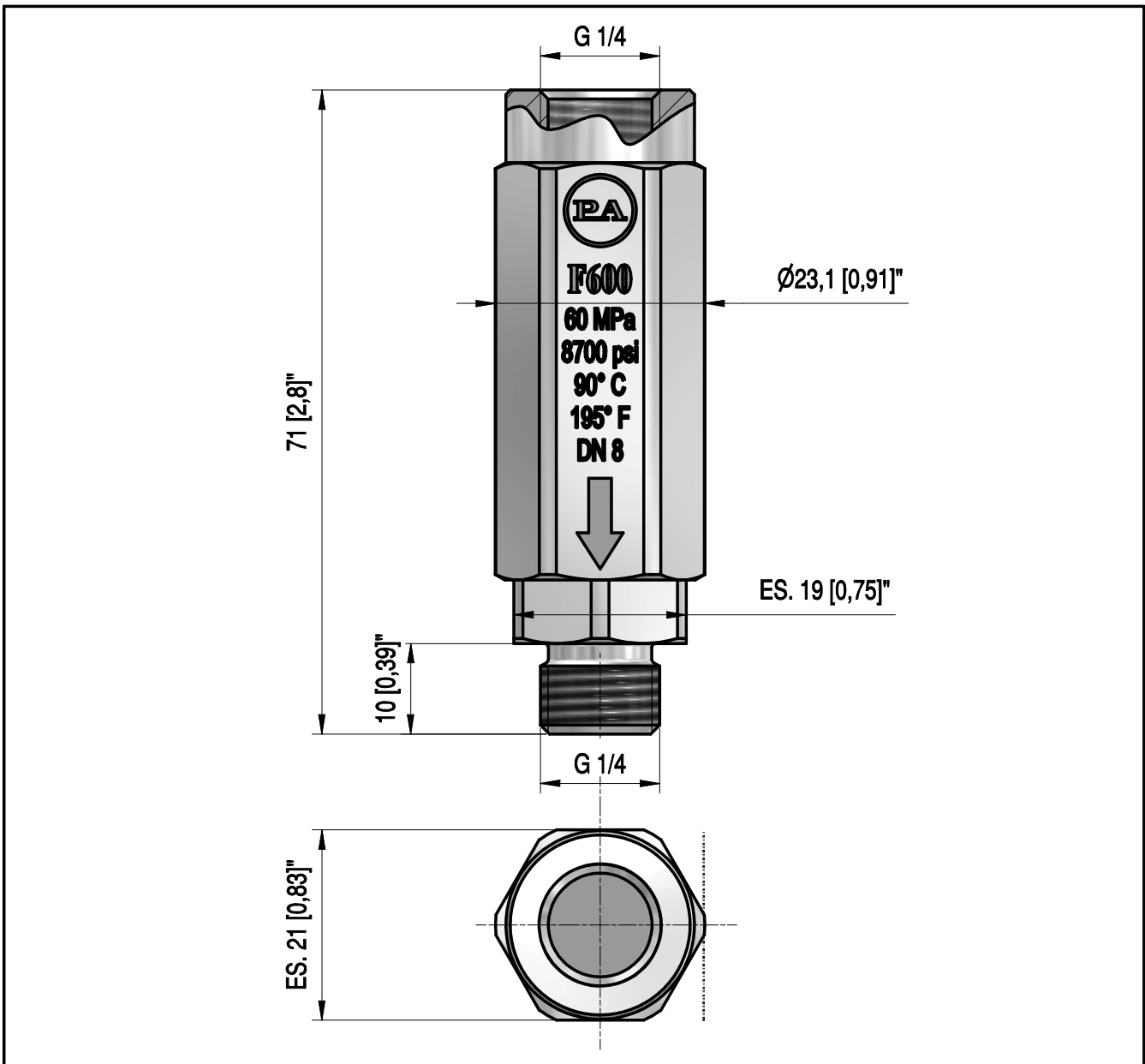
28.0180.00
FILTRO IN LINEA F600
F600 - Sst.strainer x rotating nozzle

11/04/2016

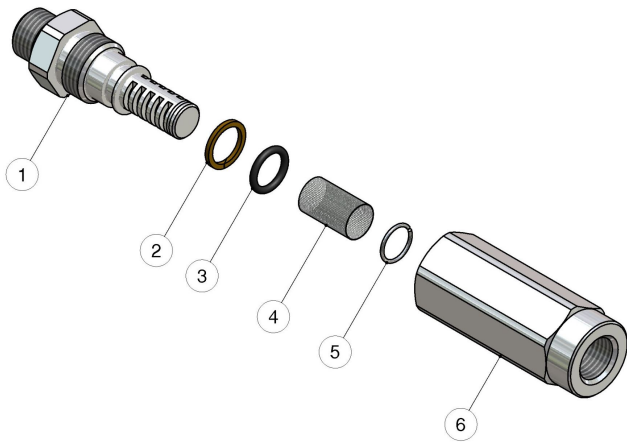
CARATTERISTICHE TECNICHE - SPECIFICATIONS

- PRESSIONE NOMINALE <i>RATED PRESSURE</i>	600 bar - 60 MPa (8700 psi)
- POTERE FILTRANTE <i>STRAINING POWER</i>	400 MICRON (50 MESH)
- PORTATA MASSIMA <i>MAX FLOW RATE</i>	44.6 (08 - 600 bar) l/min - 11.8 USGpm
- TEMPERATURA MASSIMA <i>MAX WORKING TEMPERATURE</i>	90° C (195° F)
- TEMPERATURA MINIMA <i>MIN WORKING TEMPERATURE</i>	5° C (41° F)
- MASSA <i>WEIGHT</i>	22.4 g (0.78 oz.)

MISURE D'INGOMBRO - OVERALL DIMENSIONS

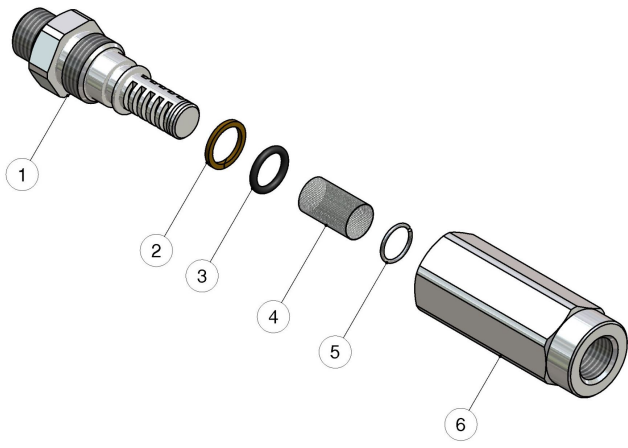



28.0180.00 F600 filtro G1/4 F M- 60MPa Ai303



Pos.	Codice	Descrizione	Q.tà	K1	K2	K3	K4	
1	28.0181.51R	Racc.portafiltro -G1/4F inox	1					3
2	10.4027.00R	An.anties.10.2x13.0x1,2 mm	1					25
3	10.3057.00R	An.OR 1,78x9,25 mm	1					10
4	28.0182.53R	Rete 50mesh- inox	1					5
5	26.1001.51R	An. elast. 0,9x8,6 mm inox	1					10
6	28.0183.51R	Corpo filtro G1/4 F inox	1					3

28.0180.00 F600 Sst strainer 1/4 Bsp FM -60MPa



Pos.	P/N	Description	Q.ty	K1	K2	K3	K4	
1	28.0181.51R	Strain.hold., 1/4F Bsp, sst.	1					3
2	10.4027.00R	Back-up ring, 10.2x13.0x1,2 mm	1					25
3	10.3057.00R	O-ring, 1,78x9,25 mm	1					10
4	28.0182.53R	Net, 50mesh-sst	1					5
5	26.1001.51R	Snap ring, 0,9x8,6 mm Sst.	1					10
6	28.0183.51R	Sst housing 1/4 Bsp F	1					3